



TECHNICAL DATA SHEET



V. 01

REV. 01

28 - 04 - 2022

ROTAIR

powerful >> compact

GOMMAIR

PORTABLE COMPRESSORS



315 KG
694 LBS



COMPRESSOR

Operating pressure	7 bar 100 psi	11 bar 160 psi	13 bar 185 psi
--------------------	-------------------------	--------------------------	--------------------------

Free air delivery	1100 l/min 39 cfm	930 l/min 33 cfm	800 l/min 28 cfm
-------------------	-----------------------------	----------------------------	----------------------------

DIESEL ENGINE

Engine make	YANMAR
-------------	---------------

Engine type	2TNV70
-------------	---------------

Emissions	Stage V
-----------	----------------

Displacement	570 cc
--------------	---------------

N. cylinders	2
--------------	----------

Max engine power @3200 RPM	10.5 kW
----------------------------	----------------

Max engine speed	3600 RPM
------------------	-----------------

Min engine speed	2000 RPM
------------------	-----------------

Cooling system	Water
----------------	--------------

Cooling system capacity	13 lt - 2.86 UK gal
-------------------------	----------------------------

Consumes	3,3 lt/h @ 3600 RPM - 2 lt/h @ 60% 0.73 UKgal @3600 RPM - 0.44 UKgal @60%
----------	--

ENVIRONMENTAL CONDITIONS

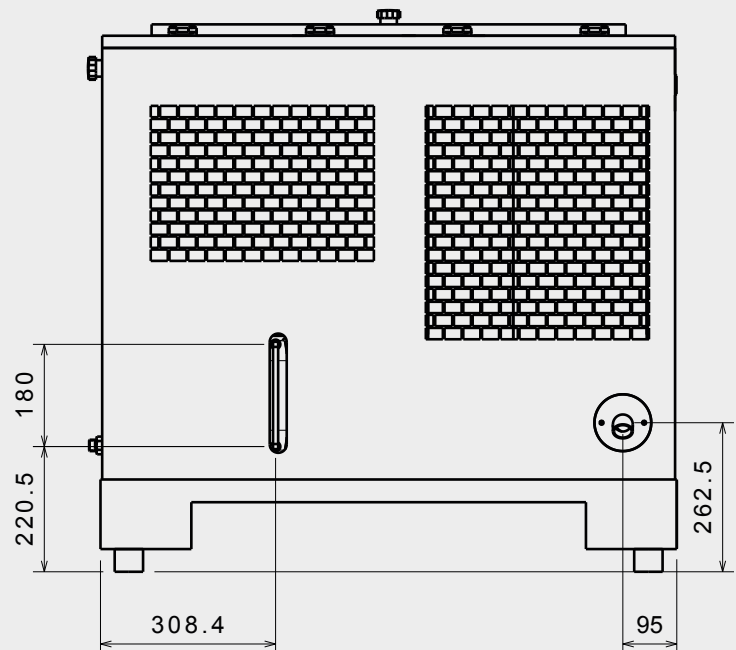
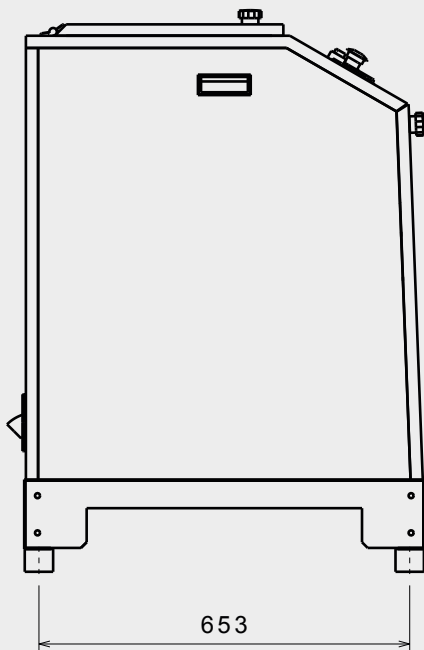
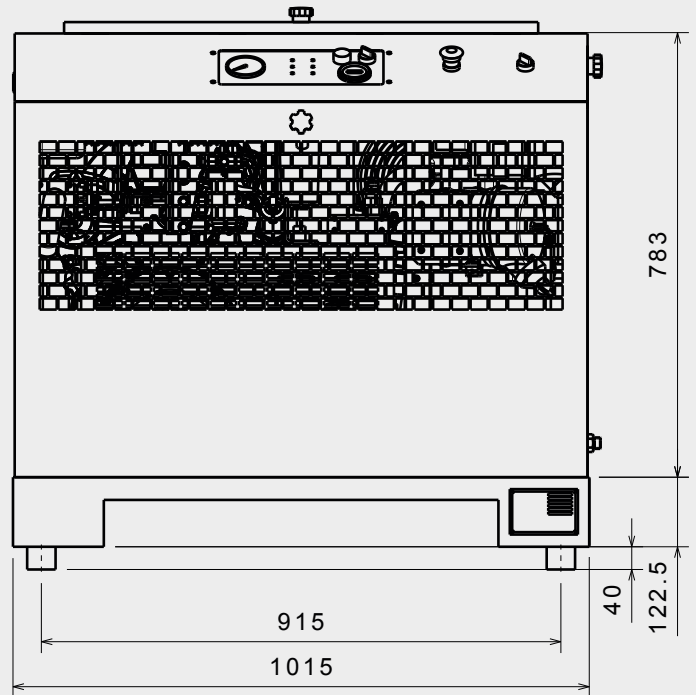
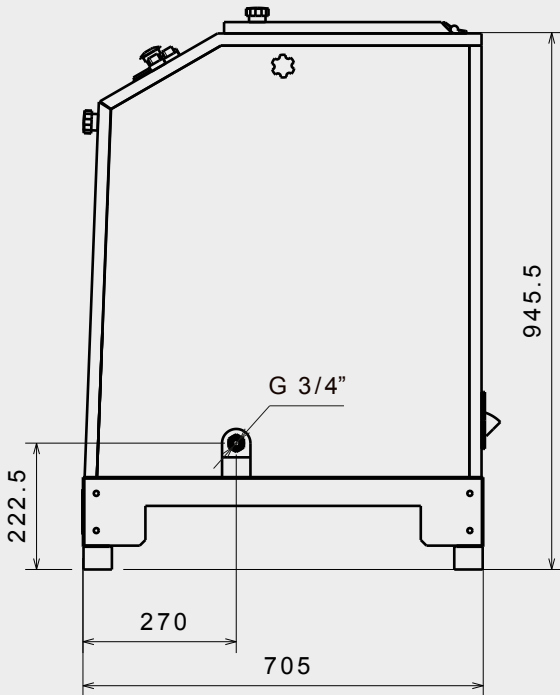
Max ambient temperature	50°C - 122°F
-------------------------	---------------------

Min working temperature	-10°C / 14°F
-------------------------	---------------------

Max altitude	1800 m a.s.l.
--------------	----------------------



315 KG
694 LBS



GOMMAIR

PORTABLE COMPRESSORS

MAIN FEATURES

OPTIONS & ACCESSORIES

COMPRESSED AIR
FOR CIVIL ENGINEERING

GOMMAIR RANGE

D/DS RANGE

MDVN RANGE

MDVS RANGE

VRK RANGE

VRK FIBER RANGE

VRH RANGE

- › Industry leading compact, square design
- › Small footprint, no wheels
- › Electro-galvanized bodywork and structure with advanced painting procedure to grant an excellent preservation through time.
- › 1 compressor oil filter.
- › 1 single stage air filter for the compressor part of large size to ensure efficient filtering of air suctioned by the screw unit.
- › Spin-on engine and compressor oil filters for faster and easier maintenance.
- › 1 double stage air filter for the engine.
- › Protective device for engine cold start.
- › Combined radiator allowing both compressor oil cooling and engine liquid cooling.

- › Easy Service design for maximum accessibility for ease of maintenance.
- › Easy managing with forklift.
- › Quiet and efficient Yanmar Stage V engine.
- › Pressurized oil circuit to ensure efficient oil lubrication
- › Air/oil separator filter, can guarantee an excellent air/oil separation.
- › Palletized, can be handled with forklift from all sides.

ROTAIR DELIVERING WORLD-CLASS
COMPRESSORS

Via Bernezzo, 67 - 12023 Caraglio (Cn) - ITALY
Tel: +39 0171.619676 / Fax: +39 0171.619677
www.rotairspa.com | info@rotairspa.com



Azienda
certificata
ISO
9001:2015

ISO 9001
BUREAU VERITAS
Certification



ROTAIR - A brand of
ELGI Equipments Ltd.

Further information available on request. The manufacturer reserves the right to modify the technical characteristics indicated above without prior notice.