



# TECHNICAL DATA SHEET



V.01

REV.01

06-10-2023

# ROTAIR®

powerful >> compact

# MDVN

## PORTABLE COMPRESSORS

# 34 E



AXLE  
WITHOUT  
BRAKES

680 KG  
1499 LB



SKID  
VERSION

630 KG  
1389 LB



## COMPRESSOR

Operating pressure	7 bar - 102 psi
Free air delivery	3400 l/min - 120 cfm
Minimum working pressure	4,5 bar - 65 psi
Drive system engine-arend	Direct
Compressor cooling system	Air / Oil
Oil cooling capacity	7 lt - 1.5 UK gal
Air outlet temperature	40°C - 72°F + Ambient temperature
Outlet valves	2 x 3/4"
Noise level EECno 2000/14	< 97 LWA

## ELECTRIC MOTOR

Electric motor make	Siemens
Electric motor type	22,0kW - 400V - 3P - 50Hz
Engine start	star/delta
Electroventilator	3,0kW - 400V - 3P - 50Hz
Max engine speed	3000 RPM
Cooling system	Air
Total Absorbed Electrical Power	25 kW
Consumption	200 kW/day (with 8h of work)
Connection	Electrical outlet 5 poles or pentapolar
Type of electrical outlet	380V pentapolar
Rated current	40A

## QUALITY OF AIR

Oil in air	1-3 PPM
Compressed air temperature	Ambient +40°C   +72°F

## ENVIRONMENTAL CONDITIONS

Max ambient temperature	48°C / 118°F
Min working temperature	-10°C / 14°F
Max altitude	1800 m a.s.l.

## AXLE WITHOUT BRAKES

WITH ARTICULATED DRAWBAR  
Suitable for road traffic

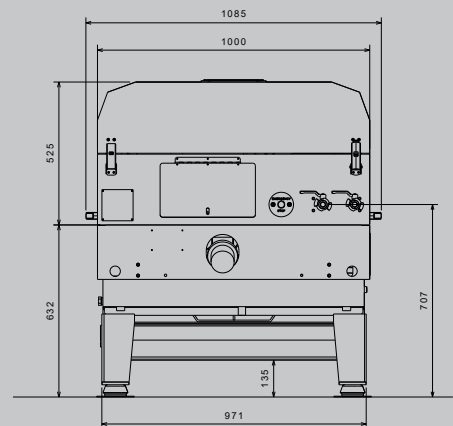
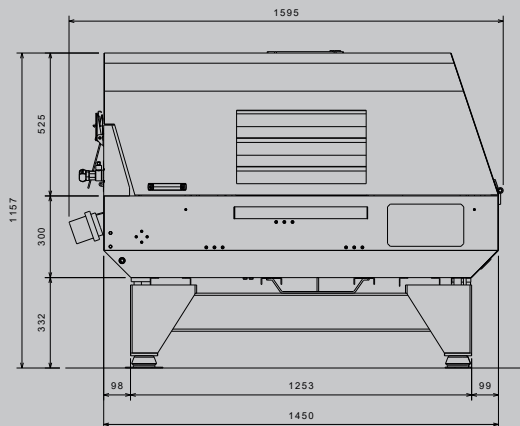
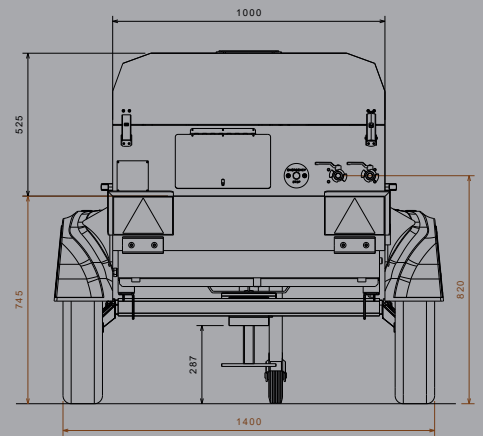
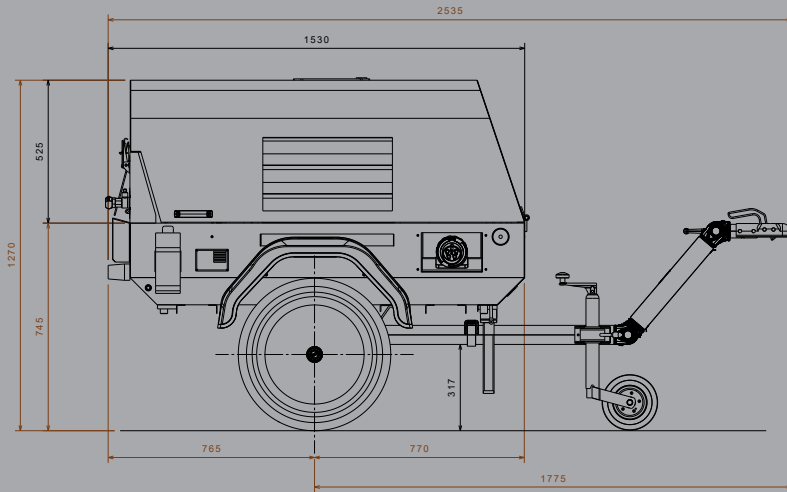


680 KG  
1499 LB

## SKID VERSION



630 KG  
1389 LB



# MDVN 34E

## PORTABLE COMPRESSORS

## MAIN FEATURES

## OPTIONS & ACCESSORIES

- › Design with modern, slender and aggressive line
- › Electro-galvanized bodywork and chassis with advanced painting procedure to grant an excellent preservation through time
- › Compact dimensions for easy handling and optimum dimensions / delivered power ratio
- › Light weight
- › Full accessibility for easy and rapid maintenance and service
- › Exclusive pneumatic control system, developed by ROTAIR
- › Zero CO<sub>2</sub> emissions in an ecological green deal perspective. Suitable for use in closed environments or environmentally sensitive areas.
- › Single stage oversized air filter for compressor part, to guarantee good filtering of the air intake by airtend. As option, Two-stage air filter.
- › High reliability and fewer problems of wear and degradation of parts compared to internal combustion engines.
- › Start/stop "INTELLIGENT SYSTEM", exclusive from ROTAIR, to prevent the risk of incorrect procedures during specific functioning.

BS sandblasting version INTEGRATED to the unit (cooler for compressed air cooling and condensate separator). The more the compressed air is cooled inside the final refrigeration kit of a compressor, the more its efficiency is prompted and the more water vapor condenses, thus allowing easy use of tools such as sandblasting kits.

Example, IN TYPICAL ENVIRONMENTAL CONDITIONS (Temperature = 20 °C / Relative humidity = 50% / Air outlet pressure = 7 bar) THE FOLLOWING VALUES ARE OBTAINED:

Difference with ambient temperature of delivered air	Water drawn in	Water drained		Water at outlet valves	
+11 °C	1,8 lt/h	0,91 lt/h	50,56%	0,89 lt/h	49,44%

### REEL FOR AIR PIPE

complete with 20 m of tubing diam. 19 x 30 with fittings to use any work tool at a distance without having to move the compressor.

### LINE LUBRICATOR FOR PNEUMATIC EQUIPMENT

Provides automatic lubrication to air-operated pneumatic tools to prevent rust and corrosion and steer the tools to have a smoother more effective operation, which prolongs the life of tools.

### CONTROL WITH CLOGGING SENSOR FOR COMPRESSOR AIR FILTERS

essential accessory in order to avoid bad air supply with the advantage of always having the maximum efficiency and the supply of compressed air at the correct pressure.

COMPRESSED AIR  
FOR CIVIL ENGINEERING

- GOMMAIR RANGE
- D/DS RANGE
- MDVN RANGE
- MDVS RANGE
- VRK RANGE
- VRK FIBER RANGE
- VRH RANGE
- TVR RANGE

**ROTAIR**® DELIVERING WORLD-CLASS  
COMPRESSORS

Via Bernezzo, 67 - 12023 Caraglio (Cn) - ITALY  
Tel: +39 0171.619676 / Fax: +39 0171.619677  
www.rotairspa.com | info@rotairspa.com



Azienda  
certificata  
ISO  
9001:2015



ROTAIR - A brand of  
ELGI Equipments Ltd.

Further information available on request. The manufacturer reserves the right to modify the technical characteristics indicated above without prior notice.