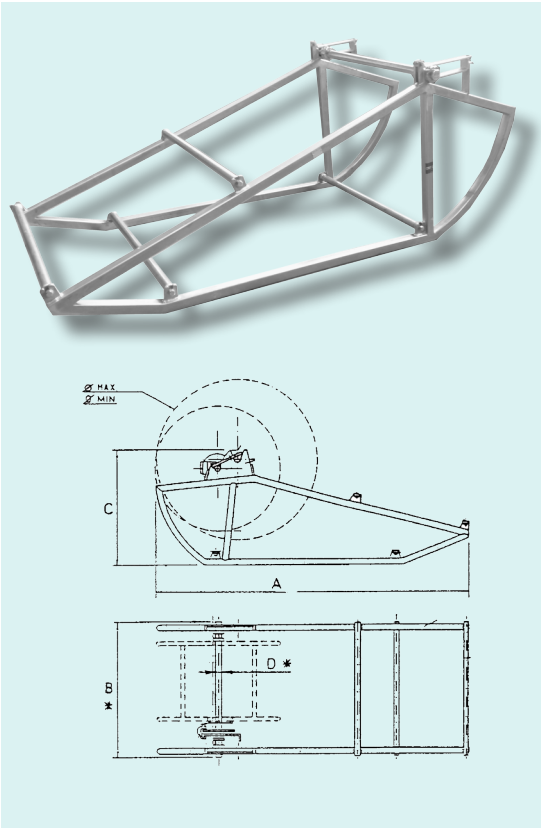


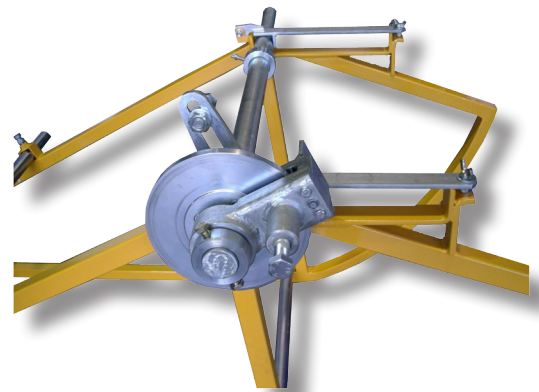
F157



Reel-cradle fit for lifting and unwinding a reel of wire. Made of welded and painted steel. Completely demountable for an easy transport. Complete with reel shaft.

OPTIONAL DEVICES

- 410.1 Disc brake for braked unwinding.
- 410.4 Disc brake with high brake capacity.
- 402 Conical bushes for wooden reels.
- 405.1 Total galvanisation.



opt.410.1

	Reel diameter min - max	Overall dimensions (A x B x C)	Spindle (ØD)	Load	Weight
	m	m	mm	daN	kg
F157.14	1,10 - 1,40	2,10 x 0,90 x 0,88	50	1000	50
F157.14.S	1,10 - 1,40	2,50 x 1,10 x 0,95	50	2000	65
F157.19	up to 1,90	3,00 x 1,10 x 1,10	50	2600	160

Dimensions and weights are without optional devices. All data may change without notice. Images and drawings are indicative only.