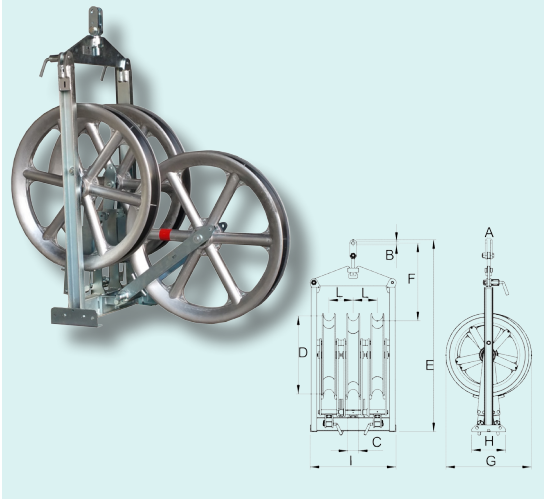


F145.S



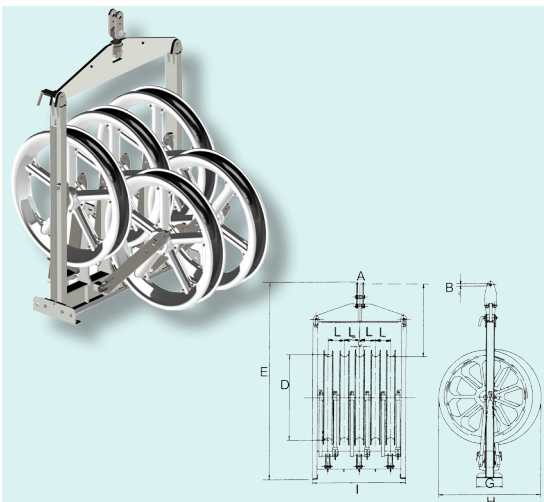
Detachable three-sheave running out block fit for stringing two- three-bundled conductors. The frame contains 3 running-out blocks that can be used singularly. Aluminium sheaves mounted on sealed ball bearings. Grooves lined with nylon sectors. Galvanised steel frame. Central sheave mounted on double bearings. Demountable attachment revolving by 90°.

OPTIONAL DEVICES

- 314 Sheaves lined with aluminium sectors.
- 326 Grounding device (opt.314 needed).
- 329 Copper cable, 6-m long, with transparent PVC protection, with a clamp for tower and a terminal for the running out block.

| | Dimensions (mm) | | | | | | | | | | Working Load kN | Weight kg |
|---------------|-----------------|----|----|------|------|-----|------|-----|-----|-----|--------------------|--------------|
| | A | B | C | D | E | F | G | H | I | L | | |
| F145.S.50.68 | 25 | 25 | 68 | 500 | 1480 | 600 | 630 | 280 | 590 | 148 | 40 | 122 |
| F145.S.65.68 | 25 | 25 | 68 | 650 | 1550 | 600 | 770 | 280 | 590 | 148 | 40 | 145 |
| F145.S.65.95 | 25 | 30 | 95 | 650 | 1650 | 600 | 770 | 280 | 670 | 178 | 60 | 165 |
| F145.S.80.68 | 25 | 25 | 68 | 800 | 1750 | 600 | 900 | 280 | 590 | 148 | 60 | 167 |
| F145.S.80.95 | 25 | 30 | 95 | 800 | 1750 | 600 | 900 | 300 | 670 | 178 | 60 | 190 |
| F145.S.100.95 | 30 | 30 | 95 | 1000 | 1980 | 600 | 1100 | 300 | 700 | 178 | 67 | 230 |

F149.S



Detachable five-sheave running out block fit for stringing four-bundled conductors. The frame contains 5 running-out blocks that can be used singularly. Aluminium sheaves mounted on sealed ball bearings. Grooves lined with nylon sectors. Galvanised steel frame. Central sheave mounted on double bearings. Demountable attachment revolving by 90°.

OPTIONAL DEVICES

- 314 Sheaves lined with aluminium sectors.
- 326 Grounding device (opt.314 needed).
- 329 Copper cable, 6-m long, with transparent PVC protection, with a clamp for tower and a terminal for the running out block.

| | Dimensions (mm) | | | | | | | | | | Working Load kN | Weight kg |
|---------------|-----------------|----|----|------|------|-----|------|-----|------|-----|--------------------|--------------|
| | A | B | C | D | E | F | G | H | I | L | | |
| F149.S.50.68 | 25 | 25 | 68 | 500 | 1480 | 600 | 630 | 280 | 890 | 148 | 40 | 185 |
| F149.S.65.68 | 25 | 25 | 68 | 650 | 1550 | 600 | 770 | 280 | 890 | 148 | 40 | 210 |
| F149.S.65.95 | 25 | 30 | 95 | 650 | 1650 | 600 | 770 | 280 | 1050 | 178 | 60 | 245 |
| F149.S.80.68 | 25 | 25 | 68 | 800 | 1750 | 600 | 900 | 280 | 890 | 148 | 60 | 249 |
| F149.S.80.95 | 25 | 30 | 95 | 800 | 1750 | 600 | 900 | 300 | 1050 | 178 | 60 | 300 |
| F149.S.100.95 | 30 | 30 | 95 | 1000 | 1980 | 600 | 1100 | 300 | 1070 | 178 | 67 | 328 |

Dimensions and weights are without optional devices. All data may change without notice. Images and drawings are indicative only.