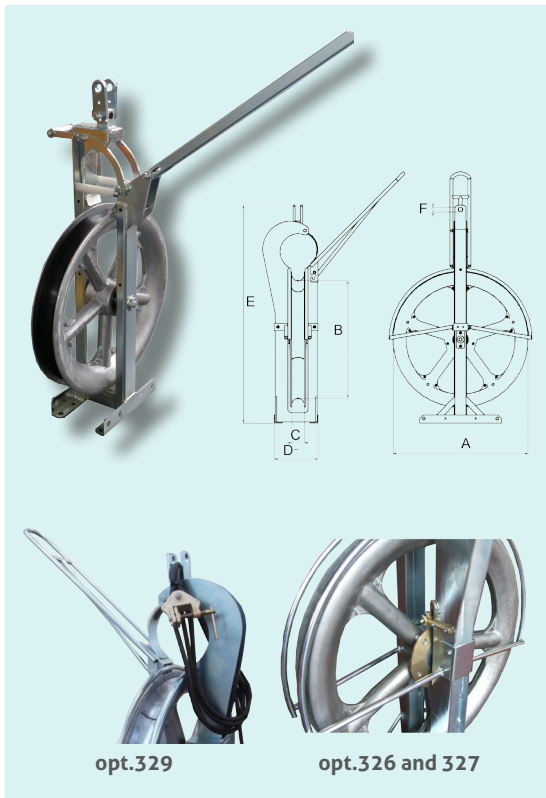


F144...E F150...E



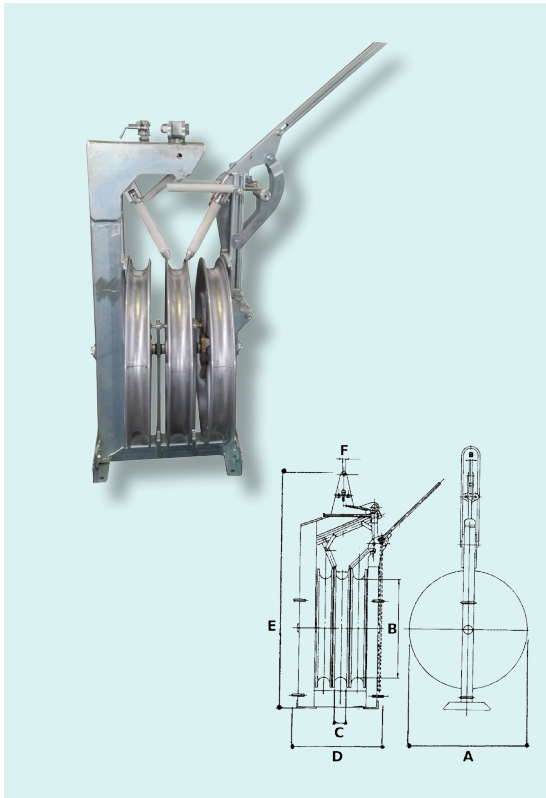
Single sheave block fit for stringing a pilot rope by helicopter. Proper devices allow to position the pulling rope in the sheave groove and keep it inside the groove during stringing operations. Aluminium sheave mounted on waterproof bearings. Groove lined with nylon sectors. Galvanized steel frame. Fix attachment.

OPTIONAL DEVICES

- 314 Sheaves lined with aluminium sectors.
- 326 Grounding device (opt.314 needed).
- 327 Non-fleeting device on half wheel circumference.
- 329 Copper cable, 6-m long, with transparent PVC protection, with a clamp for tower and a terminal for the running out block (opt.326).

	Dimensions (mm)						Working load kN	Weight kg
	A	B	C	D	E	F		
F150.23.50.E	300	230	50	220	550	18	26	15
F150.35.60.E	440	350	60	240	680	20	30	22
F144.50.70.E	630	500	68	340	980	25	60	49
F144.65.70.E	770	650	68	340	1220	25	40	52
F144.65.95.E	770	650	95	370	1220	25	40	61
F144.80.70.E	900	800	68	340	1320	25	40	64
F144.80.95.E	900	800	95	380	1320	25	40	68
F144.100.95.E	1120	1000	95	380	1560	25	67	85

F145...E



Three-sheave block fit for stringing a pilot rope by helicopter. Proper devices allow to position the pulling rope in the sheave groove, and keep it inside the groove during stringing operations. Aluminium sheave mounted on waterproof bearings. Groove lined with nylon sectors. Galvanized steel frame. Fix attachment.

OPTIONAL DEVICES

- 314 Sheaves lined with aluminium sectors.
- 326 Grounding device (opt.314 needed).
- 329 Copper cable, 6-m long, with transparent PVC protection, with a clamp for tower and a terminal for the running out block (opt.326).

	Dimensions (mm)						Working load kN	Weight kg
	A	B	C	D	E	F		
F145.50.70.E	630	500	68	670	1080	25	60	120
F145.65.70.E	770	650	68	670	1320	25	60	160
F145.65.95.E	770	650	95	780	1320	25	60	170
F145.80.70.E	900	800	68	670	1420	25	60	175
F145.80.95.E	900	800	95	800	1420	25	60	196
F145.100.95.E	1120	1000	95	800	1640	25	67	250

Dimensions and weights are without optional devices. All data may change without notice. Images and drawings are indicative only.

PULLEY BLOCKS