

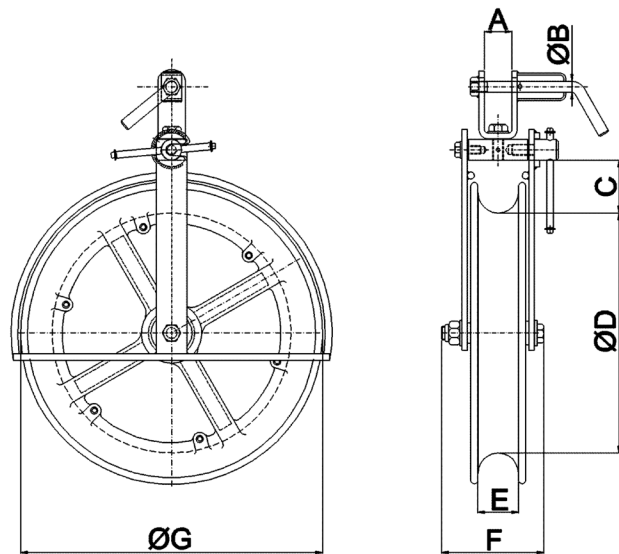
F144 F150



Single sheave running out block fit for stringing one conductor. Aluminium sheave mounted on sealed ball bearings. Groove lined with nylon sectors. Openable galvanised steel frame with non-fleeting device. Standard swivelling fork attachment.

OPTIONAL DEVICES

- 301.2 Fix hook (code FT).
- 301.1 Swivelling hook attachment (code GG).
- 314 Bottom groove lined with aluminium sectors (only for sheaves with groove width E= 60, 68 and 95 mm).
- 327 Non-fleeting device as big as half wheel circumference.
- 326 Grounding device (only for wheels with groove width E=60, 68 and 95 mm;opt.314 needed).
- 329 Copper cable, 6-m long, with transparent PVC protection, with a clamp for tower and a terminal for the running out block (for opt.326).
- 328 Special U-shaped frame.
- 320 Box for transport and stocking.



	Dimensions (mm)									Working Load	Weight
	A	A1	A2	B	C	D	E	F	G		
F150.23.1	25	25	26	14	110	230	50	150	300	27	8,0
F150.35	30	27	26	16	110	350	60	170	440	30	11,5
F144.50.70	40	27	27	20	150	500	68	188	630	33	25
F144.65.70	40	33	27	20	160	650	68	188	770	40	32
F144.65.95	40	33	27	20	150	650	95	210	770	40	35
F144.80.70	45	33	27	20	160	800	68	188	900	60	36
F144.80.95	45	33	27	20	150	800	95	210	900	60	42
F144.100.95	45	37	27	25	150	1000	95	230	1120	60	52

Dimensions and weights are without optional devices. All data may change without notice. Images and drawings are indicative only.