

# C155.CM



Motorised line-car for 2 linemen, fit for 2-, 3- or 4-bundle conductor lines.

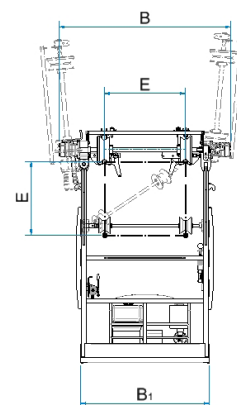
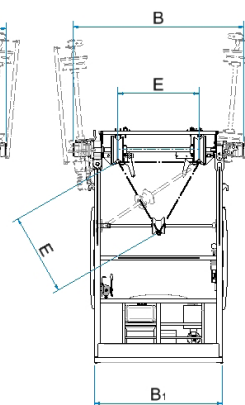
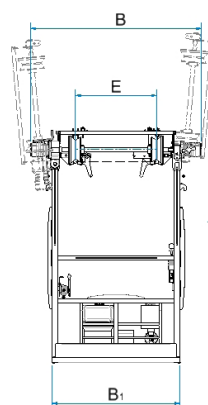
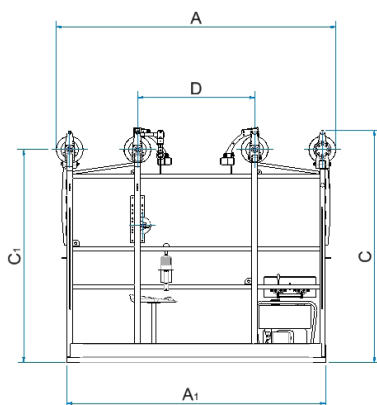
- Light aluminium-alloy structure welded TIG-system.
- Four openable arms for wheels, fit for passing obstacles.
- Aluminium wheels lined with hi-grip rubber.
- N.2 parking brakes acting on the conductor.
- Metercounter.
- Service platform.
- Fit for 2 operators.
- Hydraulic power pack transmitting the motion to the openable driven wheels.
- Gasoline engine 4 hp.
- Variable speed 0 to 30 m/min in both senses.
- Max slope allowed: 40%.
- Removable power pack.

### OPTIONAL DEVICES

- 03 Arms for wheels openable with horizontal rotation.
- 04 Earthing device.
- 05 N.2 disk brakes manually operated by 1 lever.
- 06 N.4 disk brakes manually operated by 2 levers.
- 07 Special structure with load capacity = 400 kg.

NOTE: The weight is 20% higher than the standard version.

	Line type	Capacity	Dimensions (mm)								Weight
			kg	A	A1	B	B1	C	C1	D	
C155.CM.2	2 cond.	250	2070	1900	1270	950	1570	1390	865	400-500-600	188
C155.CM.3	3 cond.	250	2070	1900	1270	950	1570	1390	865	400-500-600	197
C155.CM.4	4 cond.	250	2070	1900	1270	950	1570	1390	865	400-500-600	205



C155.CM.2

C155.CM.3

C155.CM.4

Dimensions and weights are without optional devices. All data may change without notice. Images and drawings are indicative only.