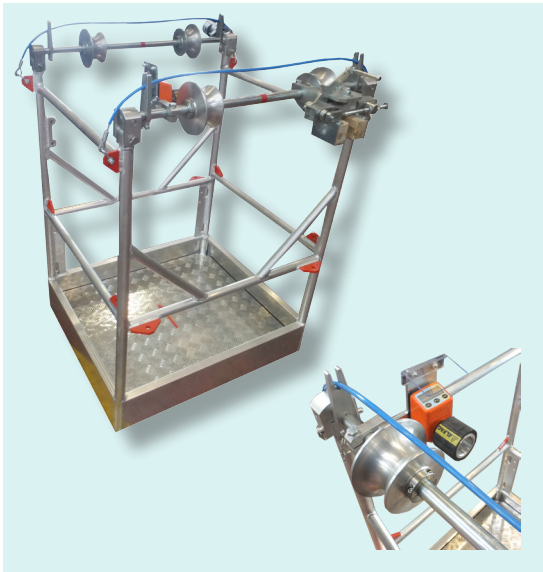


## C155.A.2



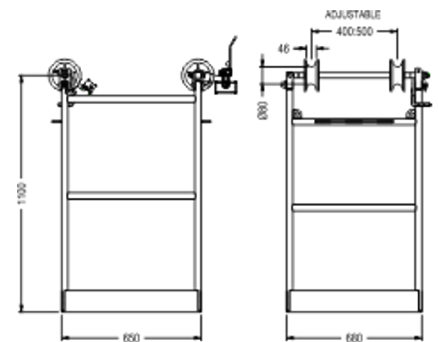
Line-car for twin conductor lines (2 cond.). Made of light alloy structure with nylon wheels mounted on ball-bearings. Stationary brake and metercounter. Also available for 3-bundle lines (3 conductors): mod. **C155.A.3**

### FEATURES

Adjustable distance between wheels	400 to 500 mm.
Capacity	100 kg
Weight	34 kg

### OPTIONAL DEVICES

707	Negative disk brake, with manual opening
opt.02	Aluminium wheels



## C155.AM.2

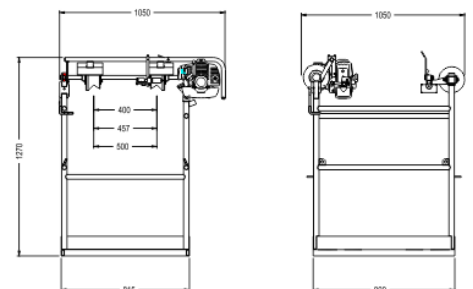


Motorized line-car for twin conductor lines (2 cond.). Made of light alloy structure with vulcolan wheels mounted on ball-bearings. Transmission axle with high grip rubber wheels. Stationary brake and metercounter.

Also available for 3-bundle lines (3 cond.): mod. **C155.AM.3**

### FEATURES

Adjustable distance between wheels	400 to 500 mm
Gasoline engine	2,4 hp, 2 strokes, 48 cc
Speed	0-20 m/min
Max inclination	25%
Mechanical transmission with idle device	
Capacity	100 kg
Weight	56 kg



Dimensions and weights are without optional devices. All data may change without notice. Images and drawings are indicative only.