

C158

**Gin poles made of aluminium alloy tubular structure welded with TIG system.
Made of two or more separated sections.**

Working Capacity: 1000 to 10000 daN (note: the real capacity depends on the angle of use).

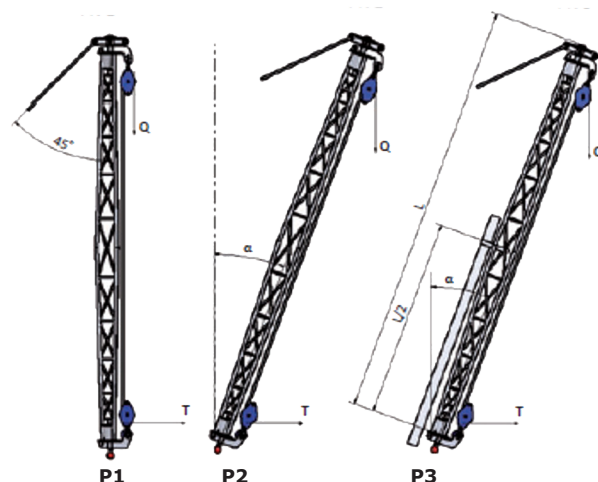
Standard lengths: 6 to 20 m. Available in two versions: with external wire-rope passage (standard) or internal wire-rope passage (optional).

Complete of swivelling head, base with ground plate and base hook for tower attachment.

OPTIONAL

.INT - Device for internal wire-rope passage, available for gin poles long 12 m or more.

Ordering code will be: C158....INT (ie: C158.100.062.INT).



Swivelling head (standard)

Swivelling lower hook (standard)

Base plate (standard)

Swivelling head (Opt.INT)

Swivelling lower hook (Opt.INT)

	Capacity (P = Q + T)			Total length m	Sections		Weight ⁽¹⁾		Weight of the base kg
	P1 α=0° daN	P2 α=20° daN	P3 α=20° daN		Number	Lengths m	Standard version kg	.INT version kg	
C158.100.062				6	2	3+3	48	58	
C158.100.082	1000	600	250	8	2	4+4	60	71	10
C158.150.082				8	2	4+4	66	75	
C158.150.102	1500	900	350	10	2	5+5	78	87	10
C158.150.123				12	3	4+4+4	88	97	
C158.200.082				8	2	4+4	70	78	
C158.200.103	2000	1200	500	10	3	4+2+4	85	93	10
C158.200.123				12	3	4+4+4	95	103	
C158.400.102				10	3	5+5	100	115	
C158.400.123	4000	2500	1000	12	3	4+4+4	125	145	19
C158.400.163				16	4	5+6+5	170	185	
C158.400.204				20	4	5+5+5+5	210	225	
C158.500.123				12	3	4+4+4	140	155	
C158.500.164	5000	3000	1200	16	4	4+4+4+4	210	225	19
C158.500.204				20	4	5+5+5+5	250	285	
C158.700.122				12	2	6+6 ⁽²⁾	165	205	
C158.700.163				16	3	5+6+5 ⁽²⁾	215	255	
C158.700.164	7000	4500	1700	16	4	4+4+4+4	215	255	29
C158.700.204				20	4	5+5+5+5	270	290	
C158.1000.163				16	3	5+6+5 ⁽²⁾	245	282	
C158.1000.204	10000	7000	2400	20	4	5+5+5+5	298	335	60
C158.1000.244				24	4	6+6+6+6	350	385	

⁽¹⁾ weight of gin pole complete with swivelling head and swivelling hook, but without base

⁽²⁾ it is possible to build sections with different lengths